

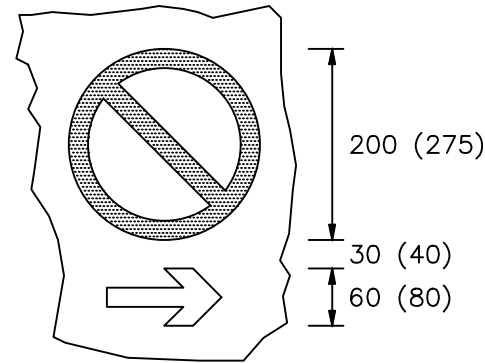
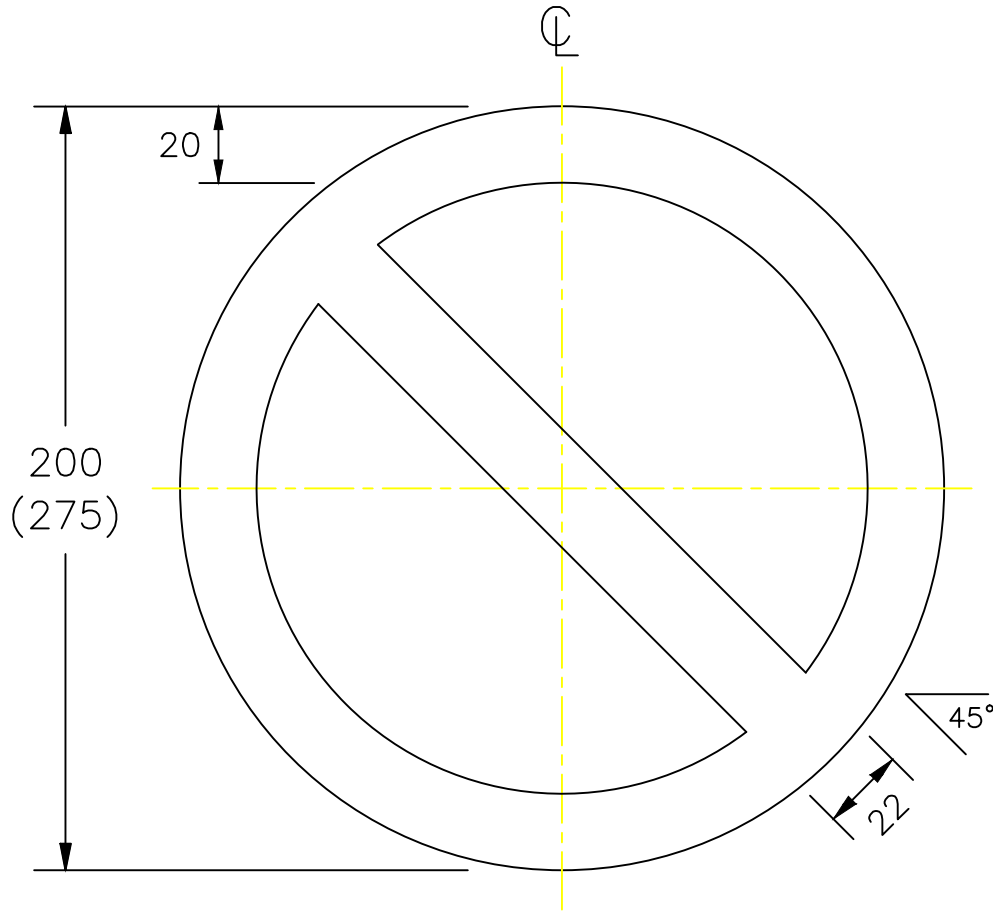
Drawing No.
P 636

Before using this drawing, confirm that it has not been superseded.

© CROWN COPYRIGHT

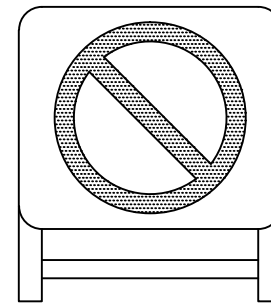
NOTES:- 1. The 200mm dia sign dimensions shall be varied proportionally for the 275mm dia sign.

2. COLOURS : Roundel & Bar ----- RED
 Roundel background ---- BLUE
 Arrow ----- BLACK
 Background to sign ---- YELLOW

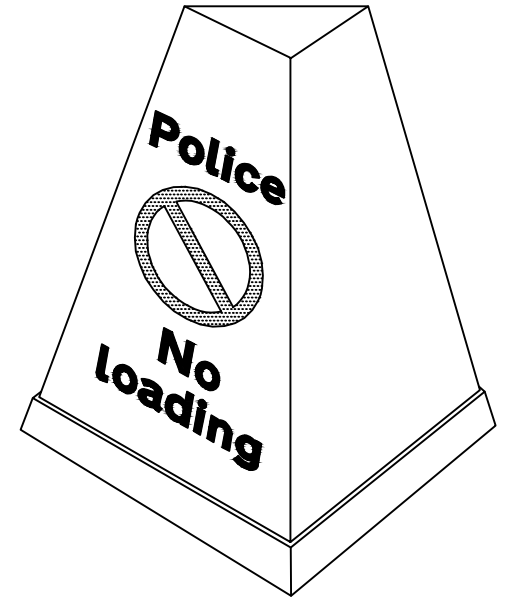


120 (160)

VARIANT



275 dia used on temporary stand



200 dia used on police cone and shown with P 636.1 (legend from Transport heavy alphabet)

Issue C : Bracketed dimensions on roundel removed (see note 1)

P636

Department for
Transport

Title: Regulatory Sign
TEMPORARY PROHIBITION
OF WAITING

Issue: Date:
A: 20.7.94
C: 27.8.04
D: 15.7.15

Drawn by :
S.P.
Approved by:
R.M.

Dimensions :
MILLIMETRES

Drawing No.
P 636