

Illustration No 12

Reinforcing of Timber Roof or Ceiling

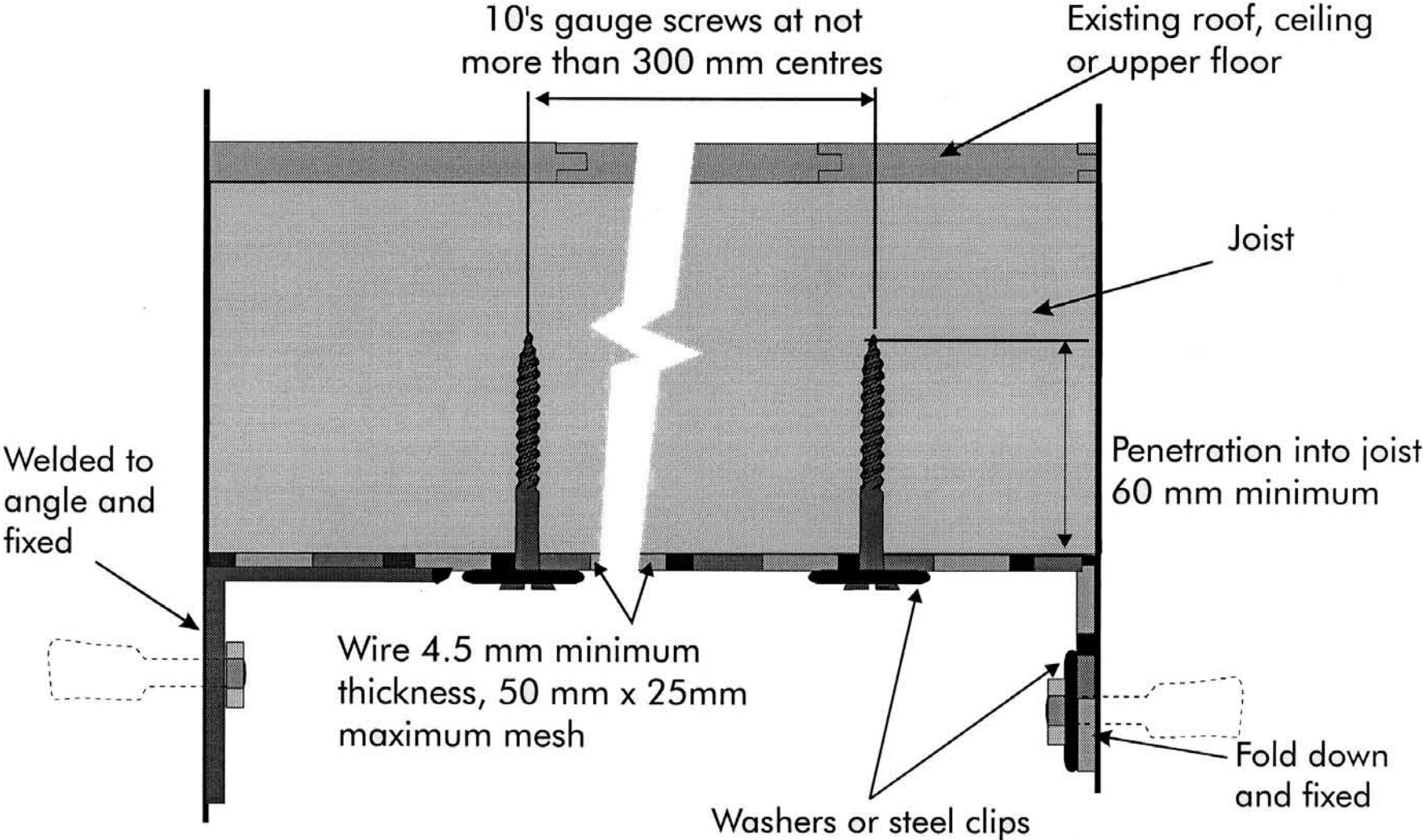


Illustration No 13

Reinforcing of Timber Floor

