

Damage, Corrosion and Surface Finish Map

Aircraft Serial No: _____

Sheet No: _____

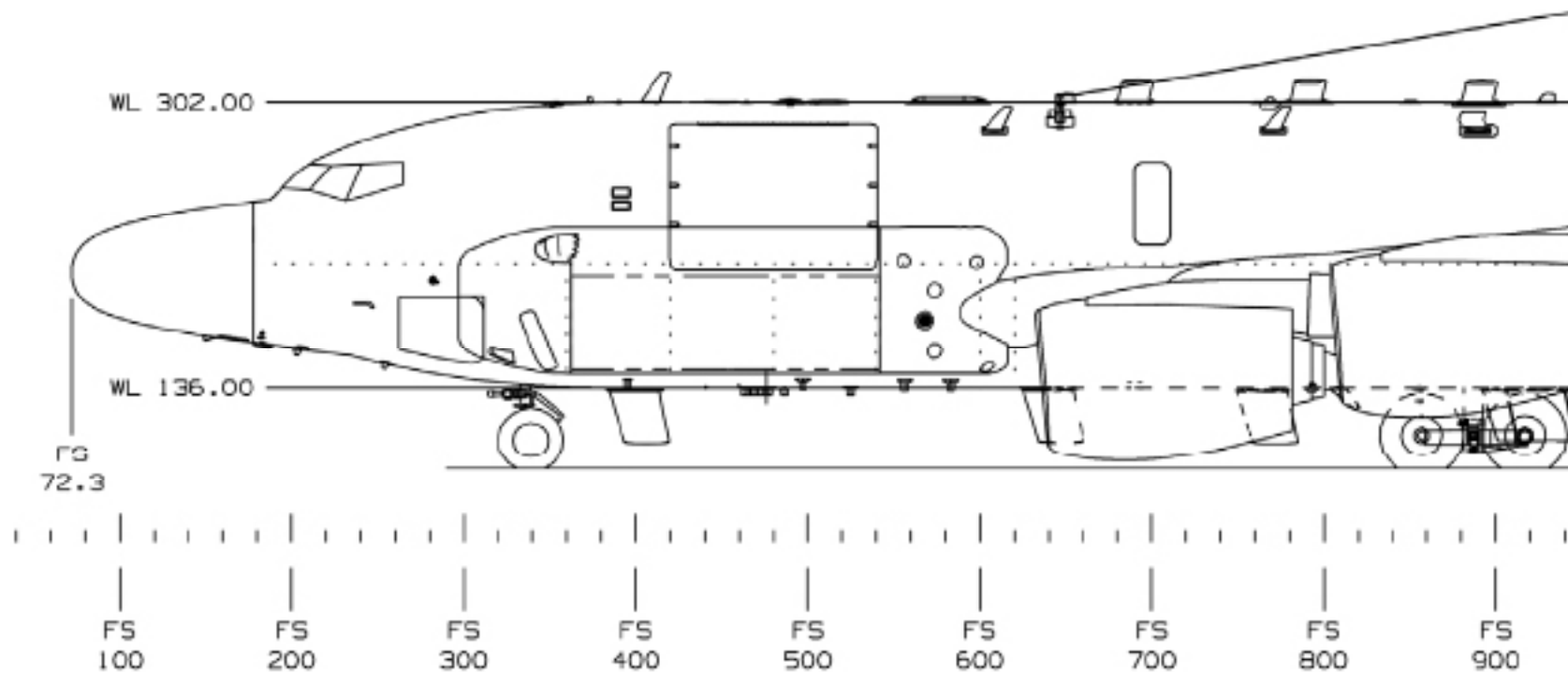
INDEX OF PICTURES

<u>Picture Title</u>	<u>Page Number</u>
Port Fwd Fuselage	Page 2
Port Rear Fuselage	Page 3
Stbd Fwd Fuselage	Page 4
Stbd Rear Fuselage	Page 5
Port Lower Mainplane	Page 6
Port Upper Mainplane	Page 7
Stbd Lower Mainplane	Page 8
Stbd Upper Mainplane	Page 9
Upper Tailplane	Page 10
Lower Tailplane	Page 11
NLG (Nose Landing Gear) Doors	Page 12
MLG (Main Landing Gear) Doors	Page 13
No.1 Engine Nacelle Outboard	Page 14
No.1 Engine Nacelle Inboard	Page 15
No.2 Engine Nacelle Outboard	Page 16
No.2 Engine Nacelle Inboard	Page 17
No.3 Engine Nacelle Inboard	Page 18
No.3 Engine Nacelle Outboard	Page 19
No.4 Engine Nacelle Inboard	Page 20
No.4 Engine Nacelle Outboard	Page 21

Damage, Corrosion and Surface Finish Map

Aircraft Serial No: _____

Port Fwd Fuselage

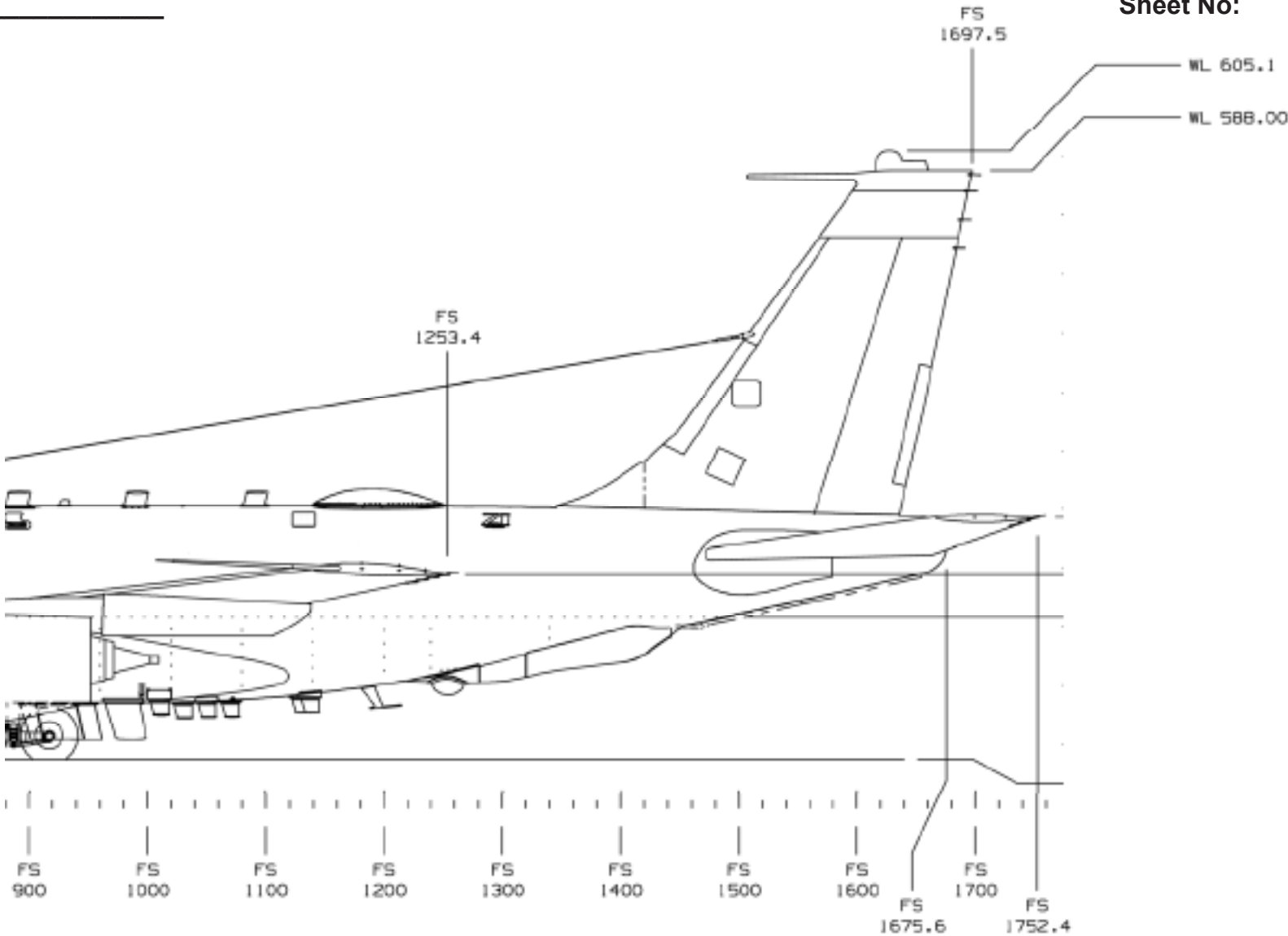


Damage, Corrosion and Surface Finish Map

Aircraft Serial No: _____

Sheet No: _____

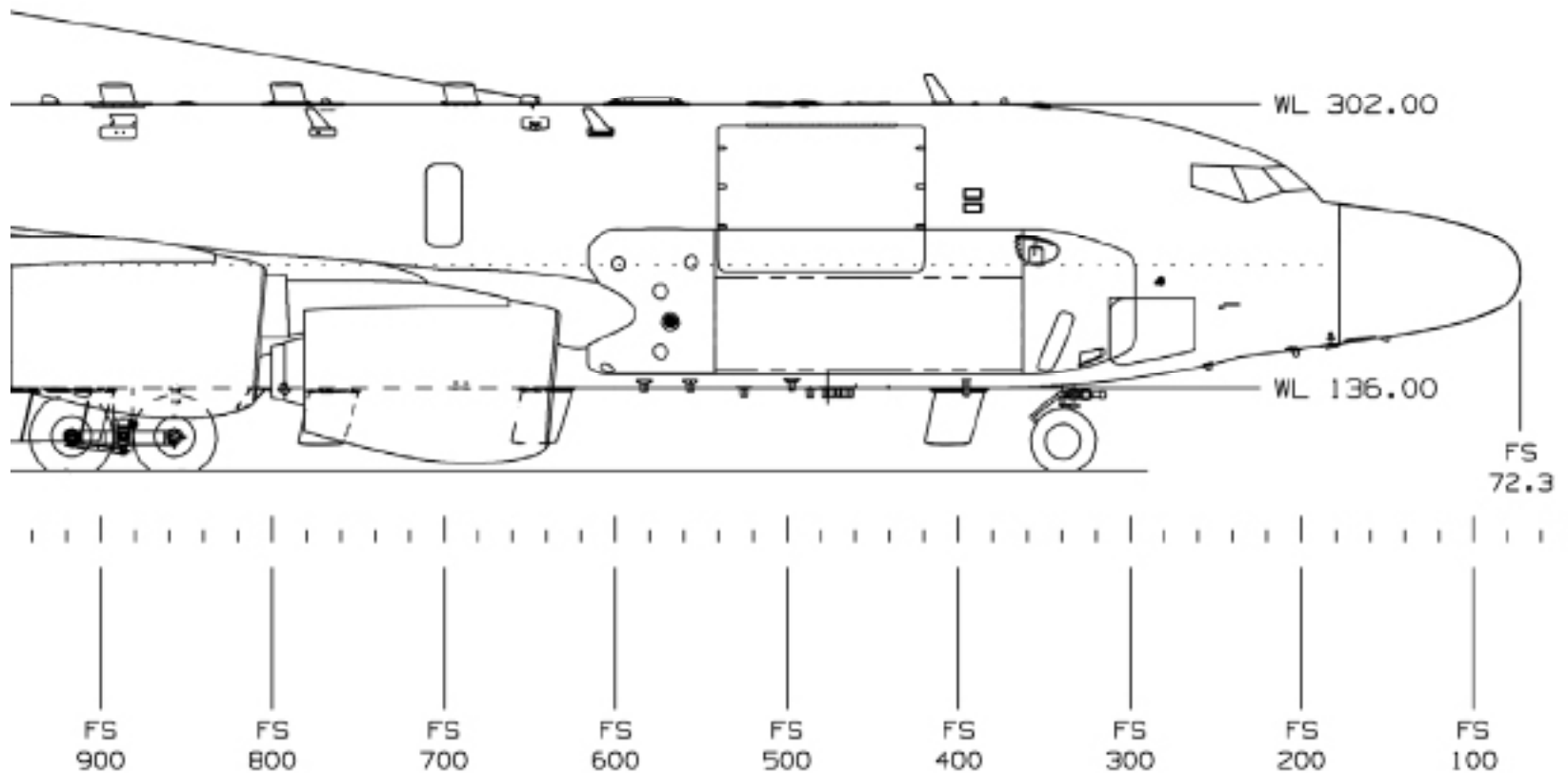
Port Rear Fuselage



Damage, Corrosion and Surface Finish Map

Aircraft Serial No: _____

Stbd Fwd Fuselage

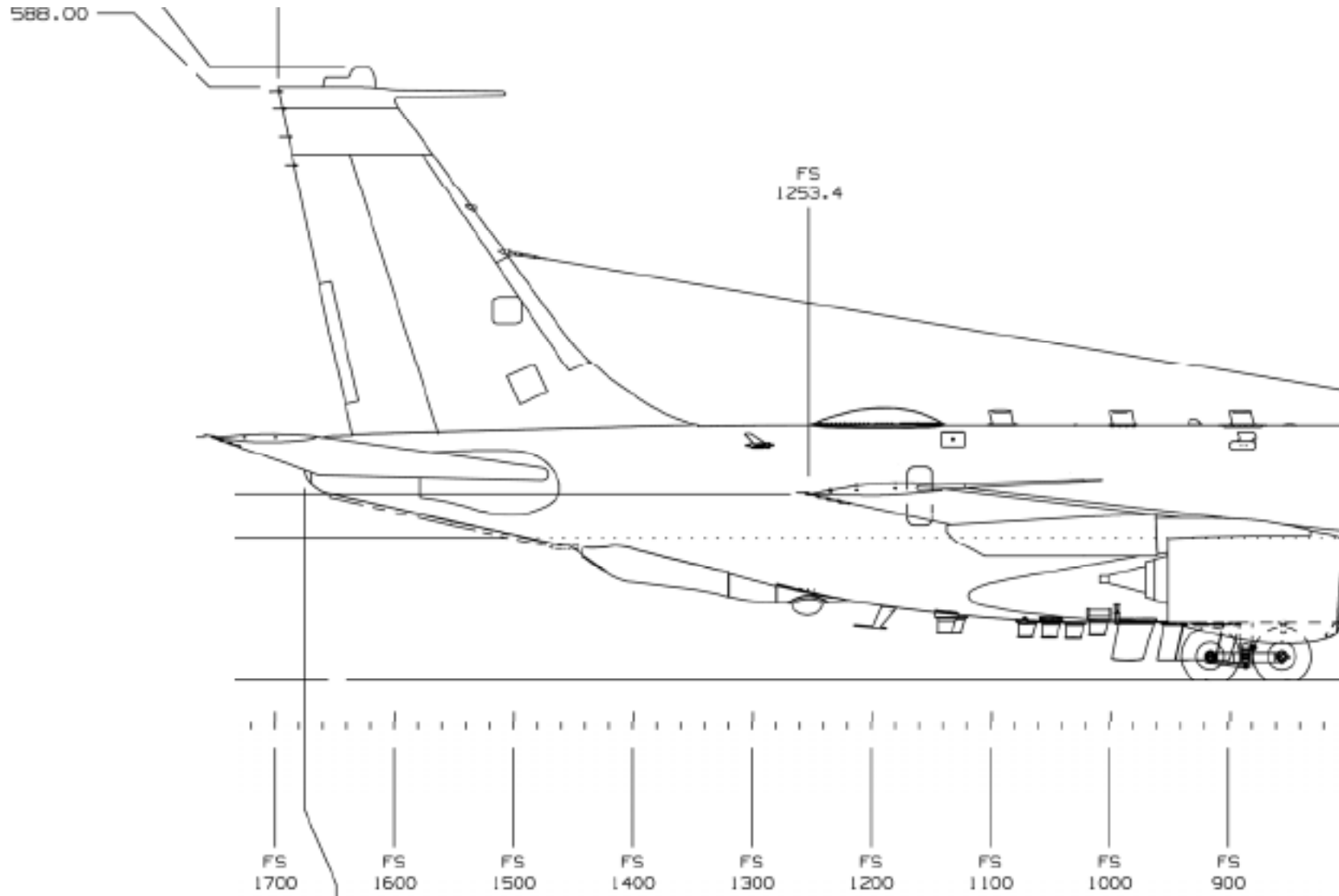


Damage, Corrosion and Surface Finish Map

Aircraft Serial No: _____

Sheet No: _____

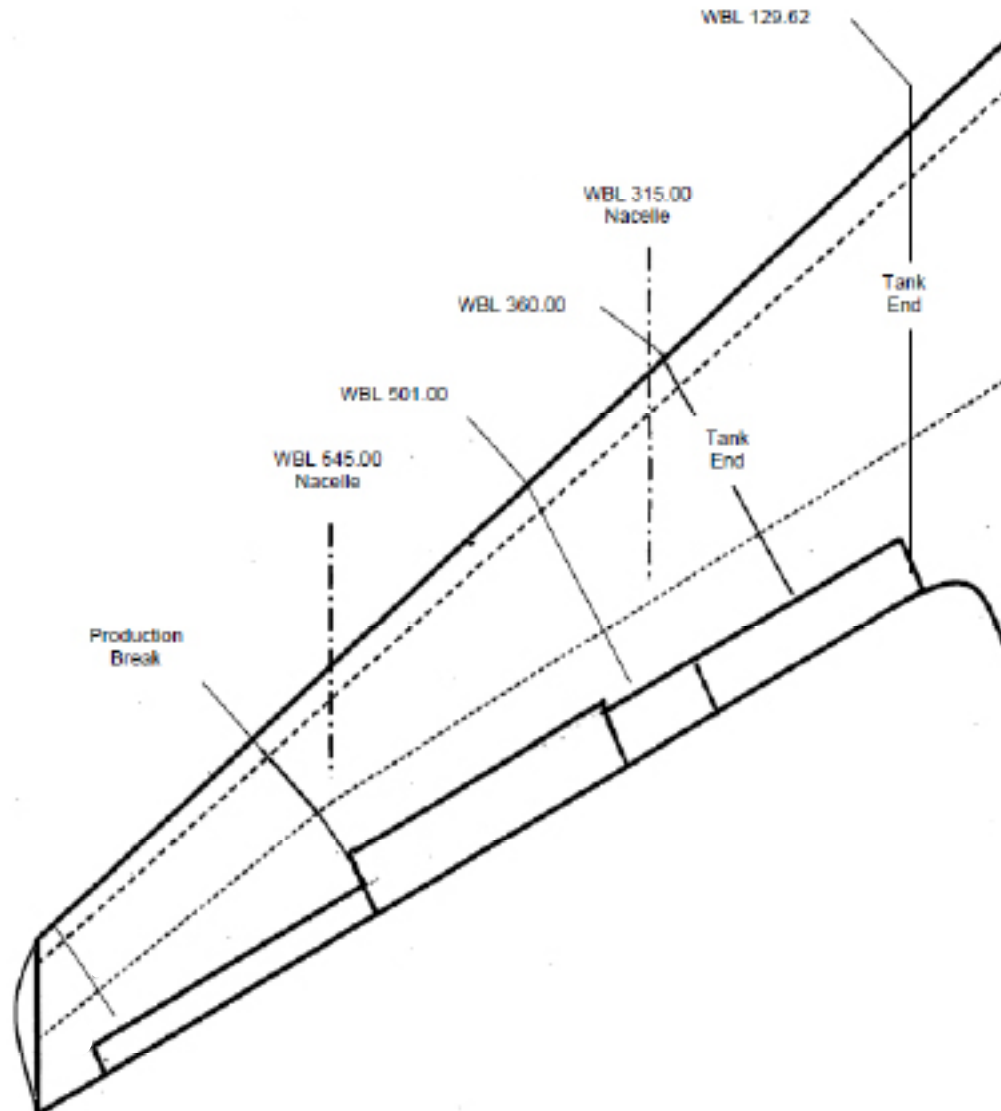
Stbd Rear Fuselage



Damage, Corrosion and Surface Finish Map

Aircraft Serial No: _____

Port Lower Mainplane

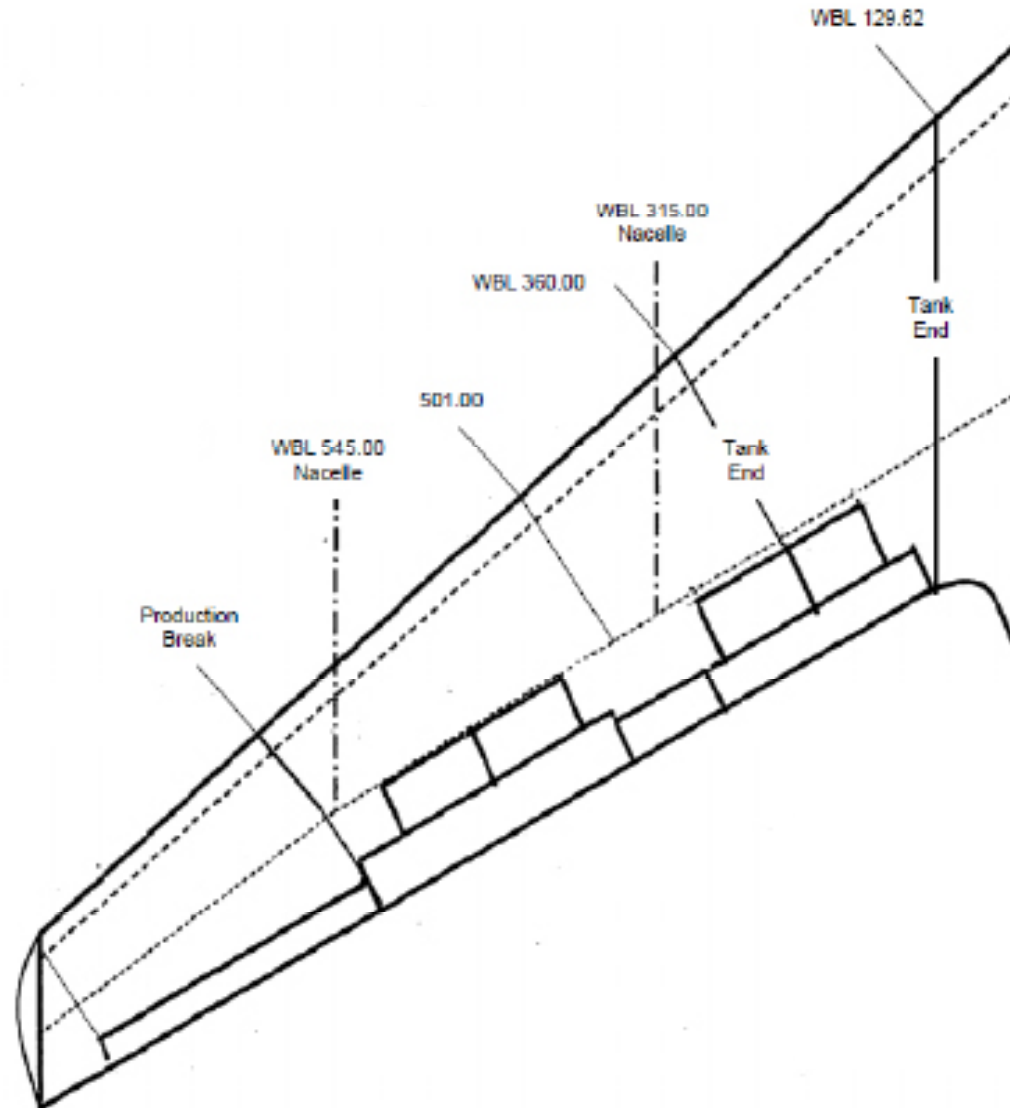


Damage, Corrosion and Surface Finish Map

Aircraft Serial No: _____

Sheet No: _____

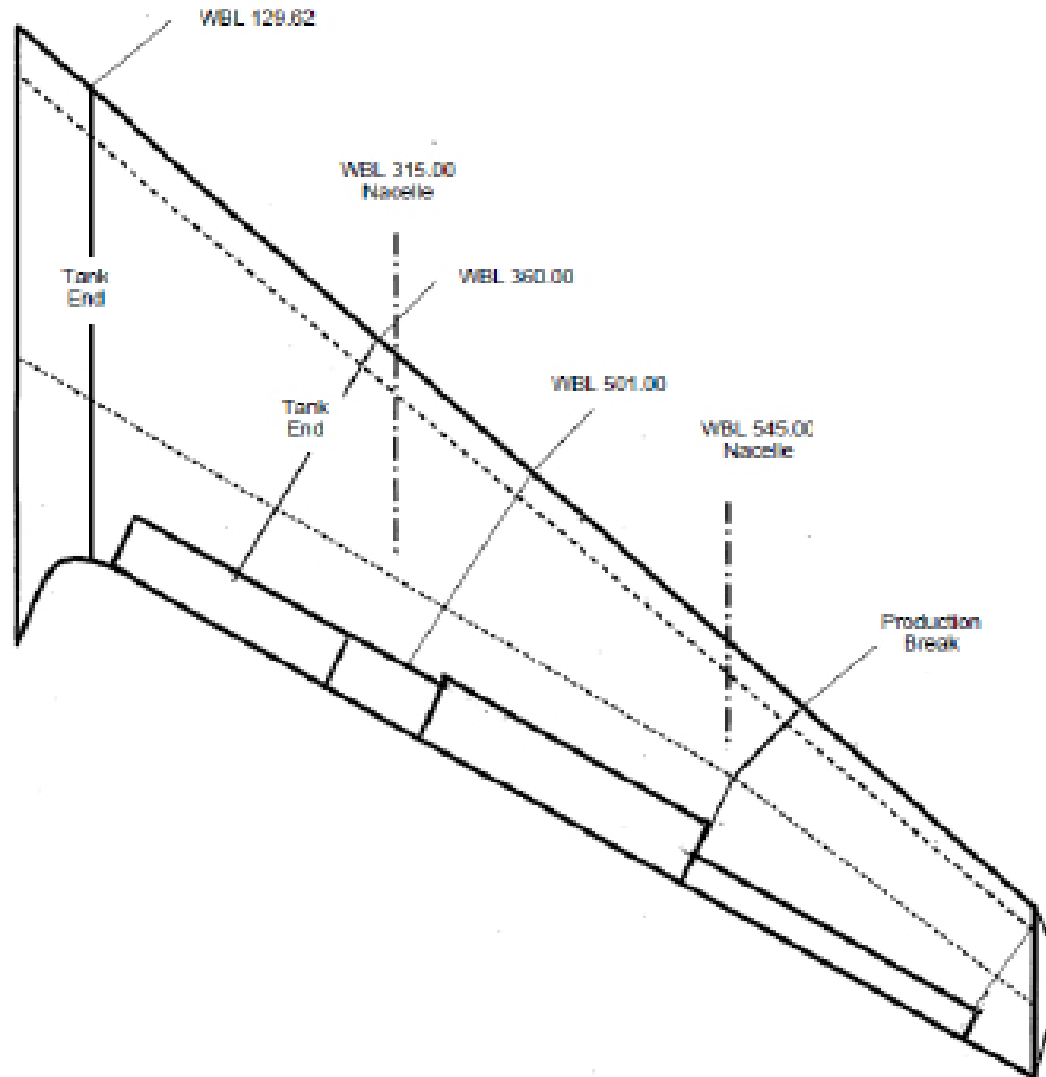
Port Upper Mainplane



Damage, Corrosion and Surface Finish Map

Aircraft Serial No: _____

Stbd Lower Mainplane

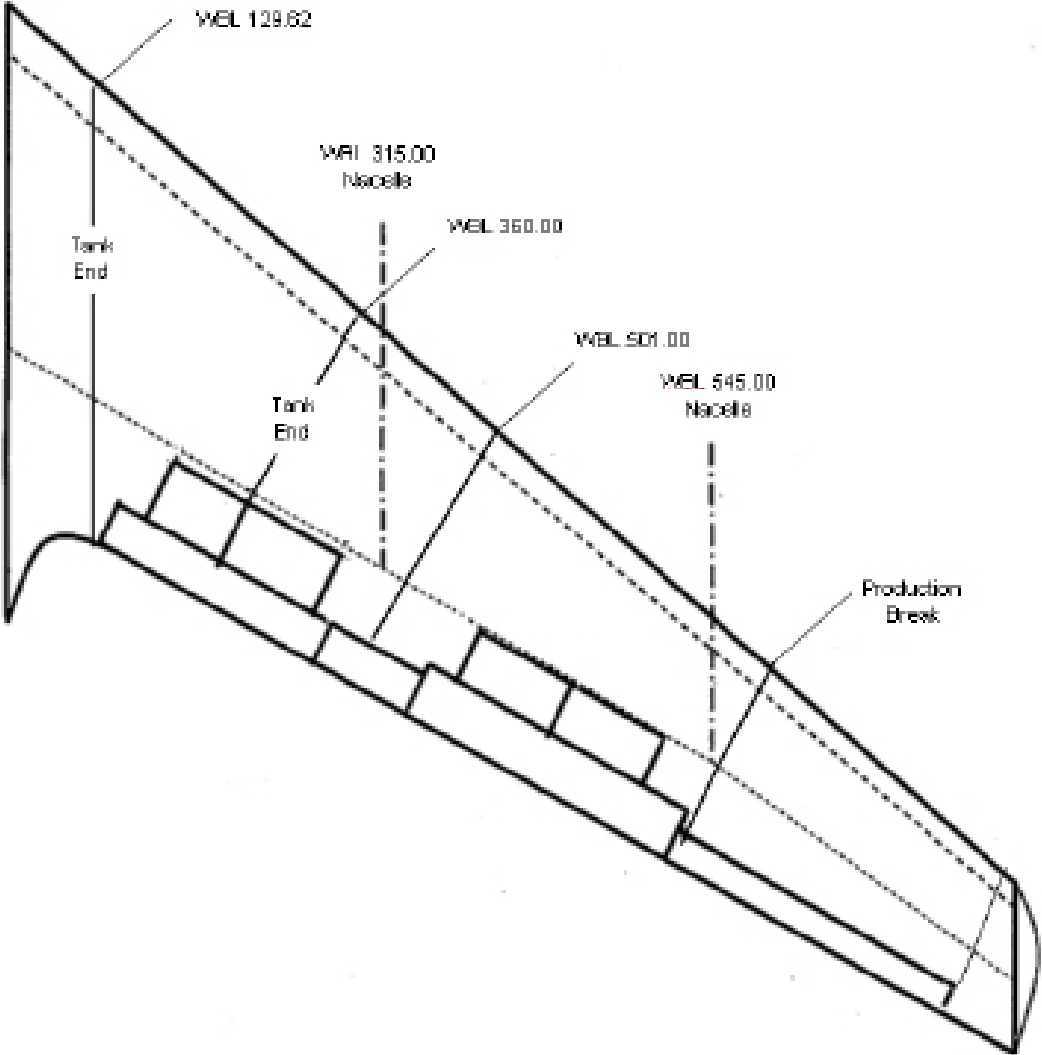


Damage, Corrosion and Surface Finish Map

Aircraft Serial No: _____

Sheet No: _____

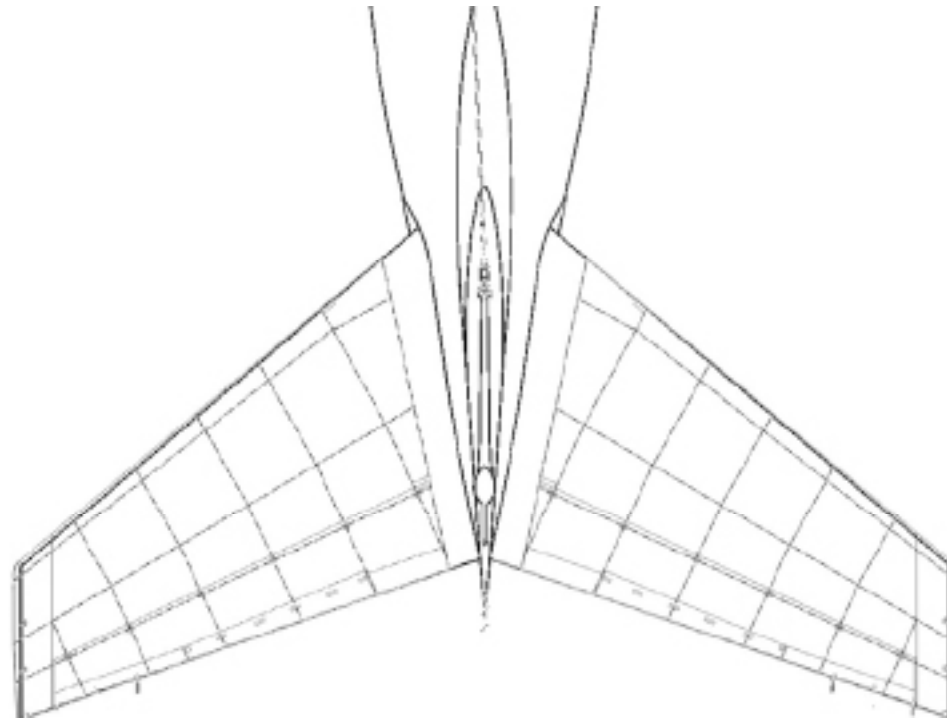
Stbd Upper Mainplane



Damage, Corrosion and Surface Finish Map

Aircraft Serial No: _____

Upper Tailplane

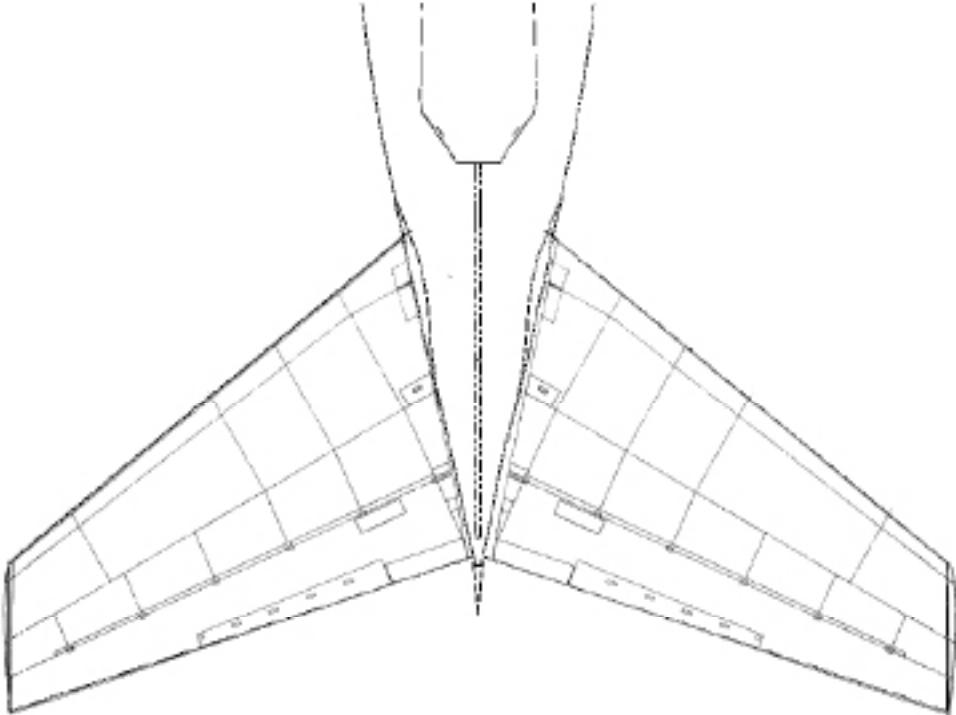


Damage, Corrosion and Surface Finish Map

Aircraft Serial No: _____

Sheet No: _____

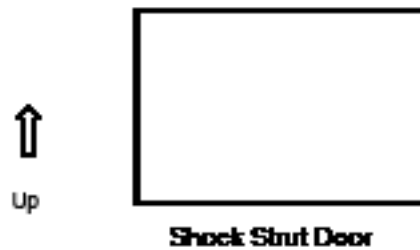
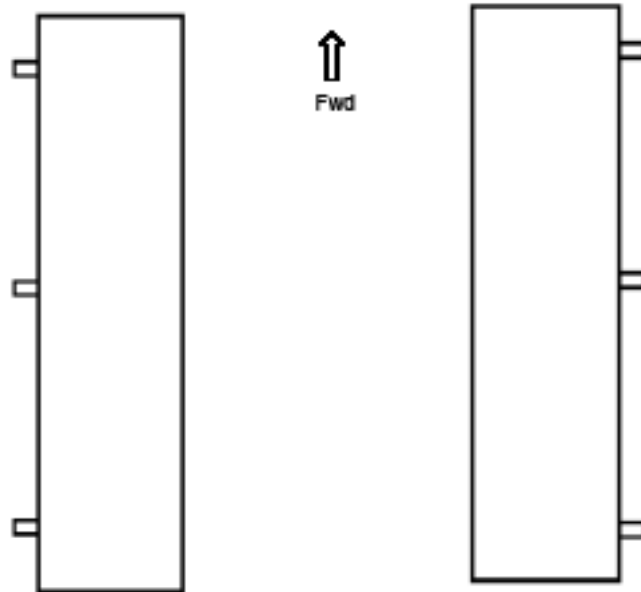
Lower Tailplane



Damage, Corrosion and Surface Finish Map

Aircraft Serial No: _____

NLG (Nose Landing Gear) Doors

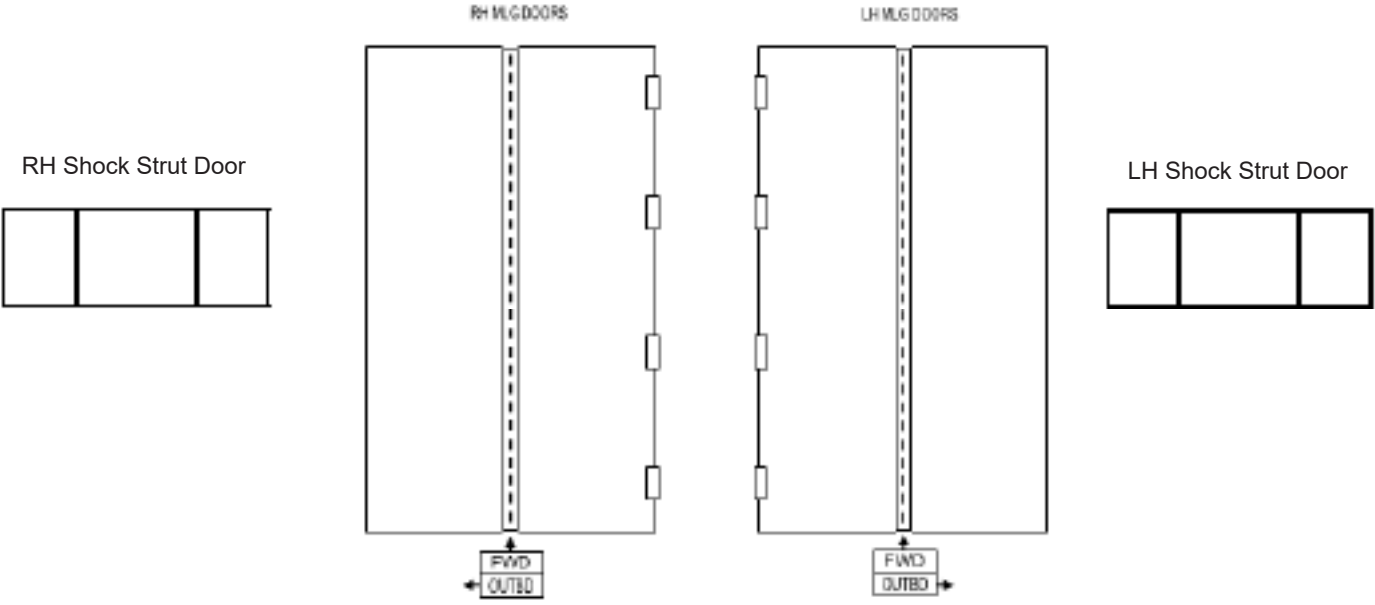


Damage, Corrosion and Surface Finish Map

Aircraft Serial No: _____

Sheet No: _____

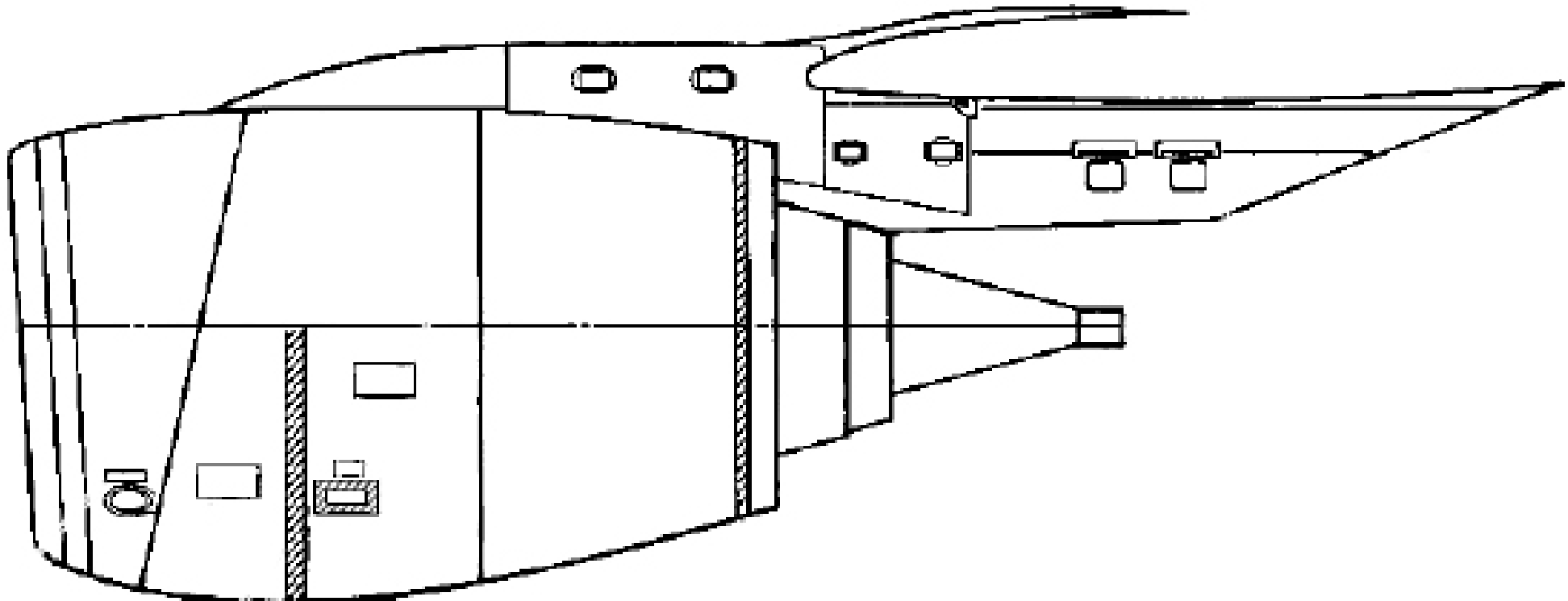
MLG (Main Landing Gear) Doors



Damage, Corrosion and Surface Finish Map

Aircraft Serial No: _____

No.1 Engine Nacelle Outboard

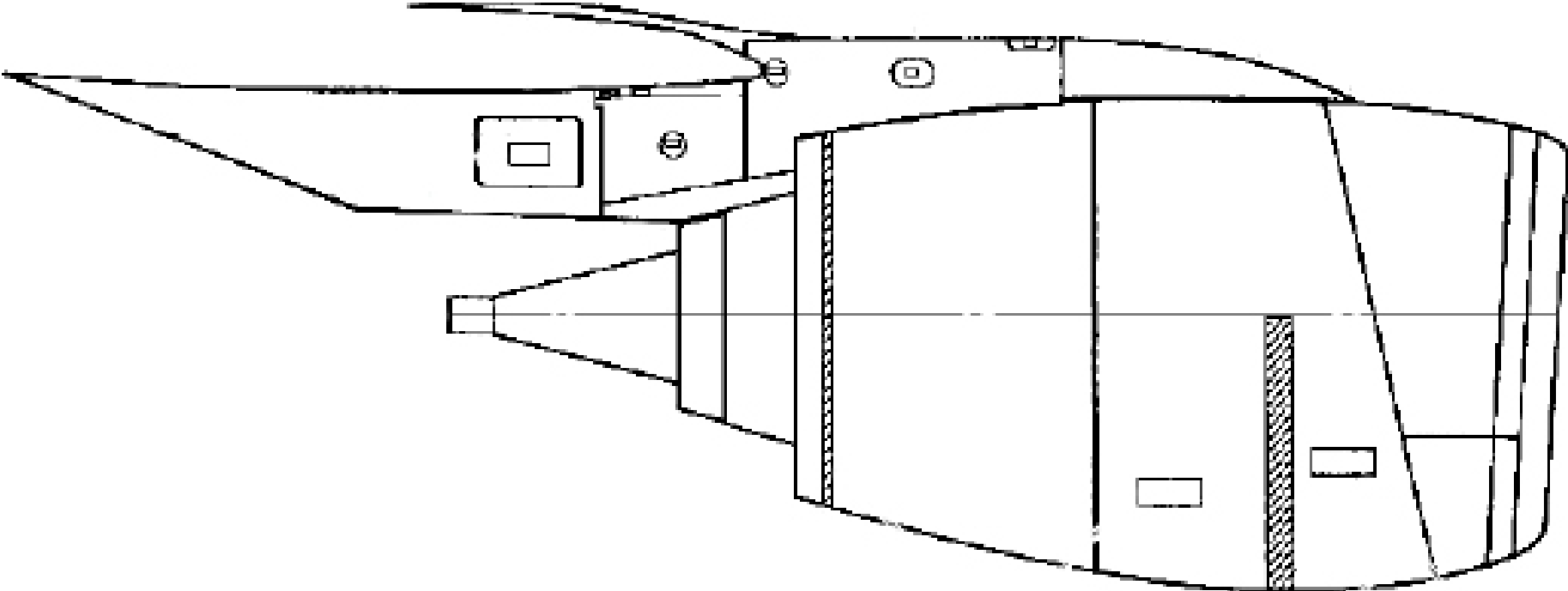


Damage, Corrosion and Surface Finish Map

Aircraft Serial No: _____

Sheet No: _____

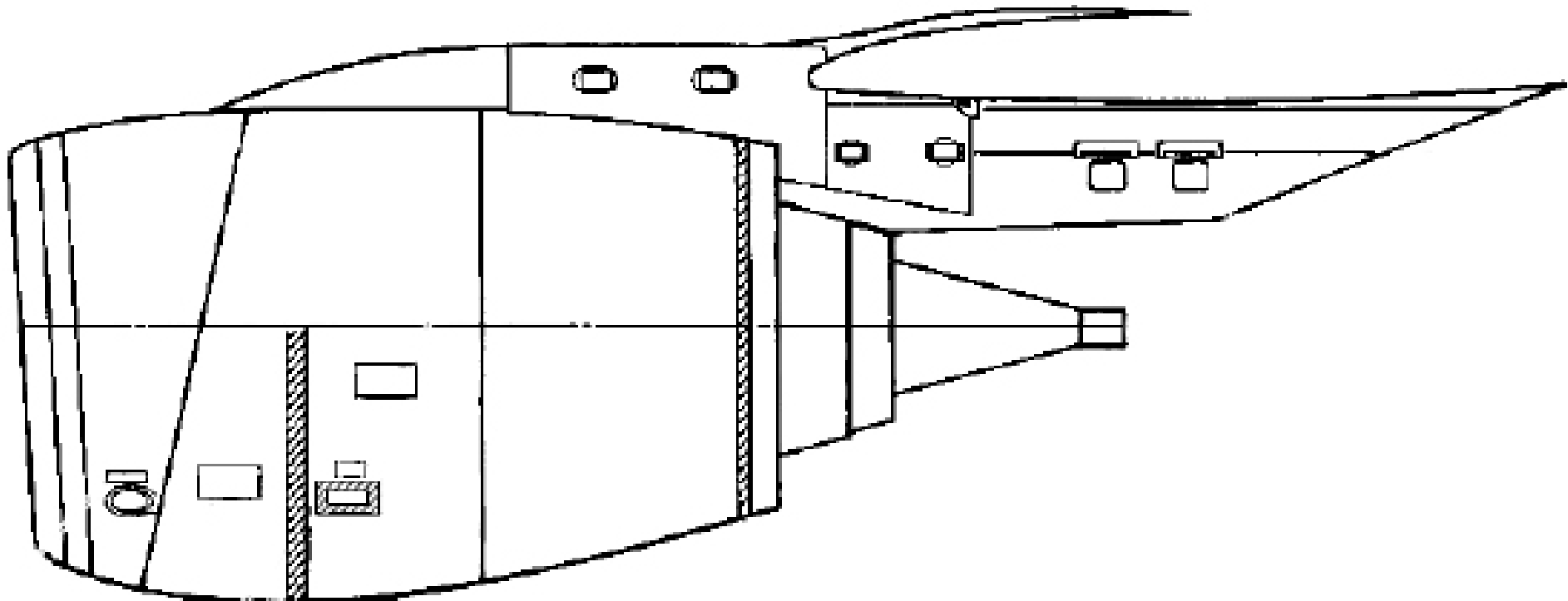
No.1 Engine Nacelle Inboard



Damage, Corrosion and Surface Finish Map

Aircraft Serial No: _____

No.2 Engine Nacelle Outboard

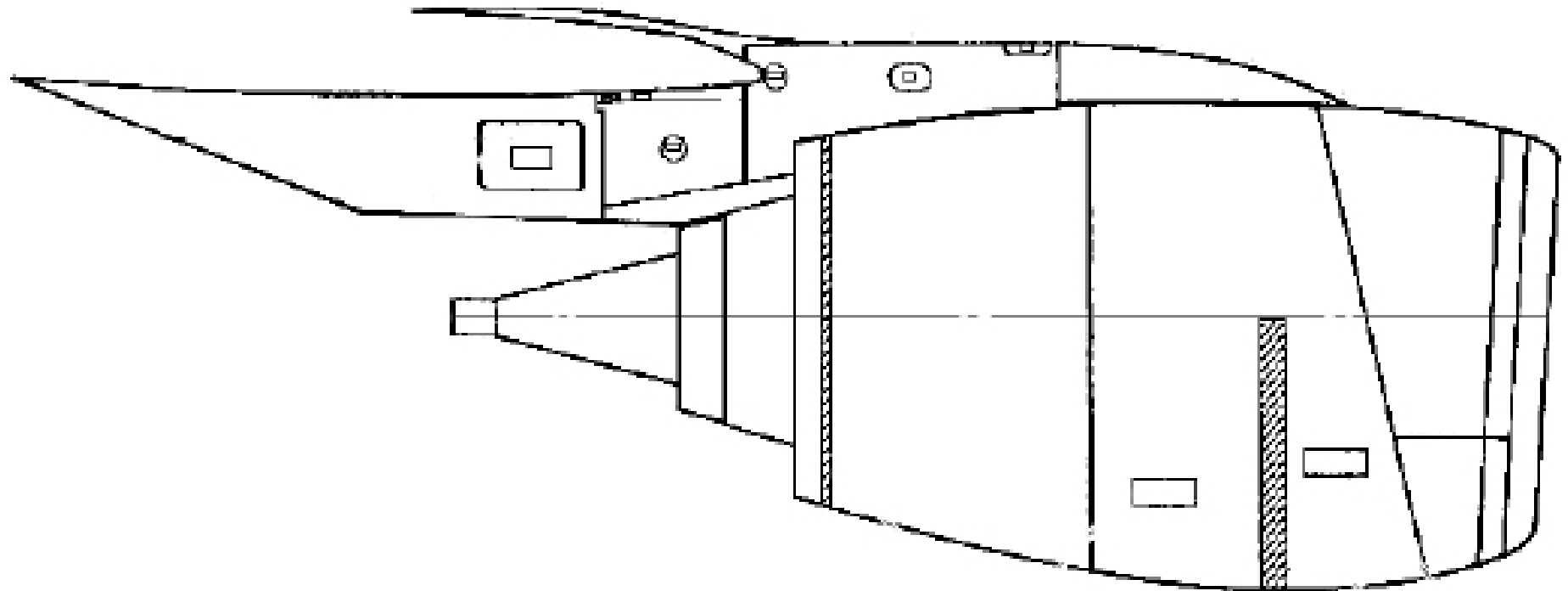


Damage, Corrosion and Surface Finish Map

Aircraft Serial No: _____

Sheet No: _____

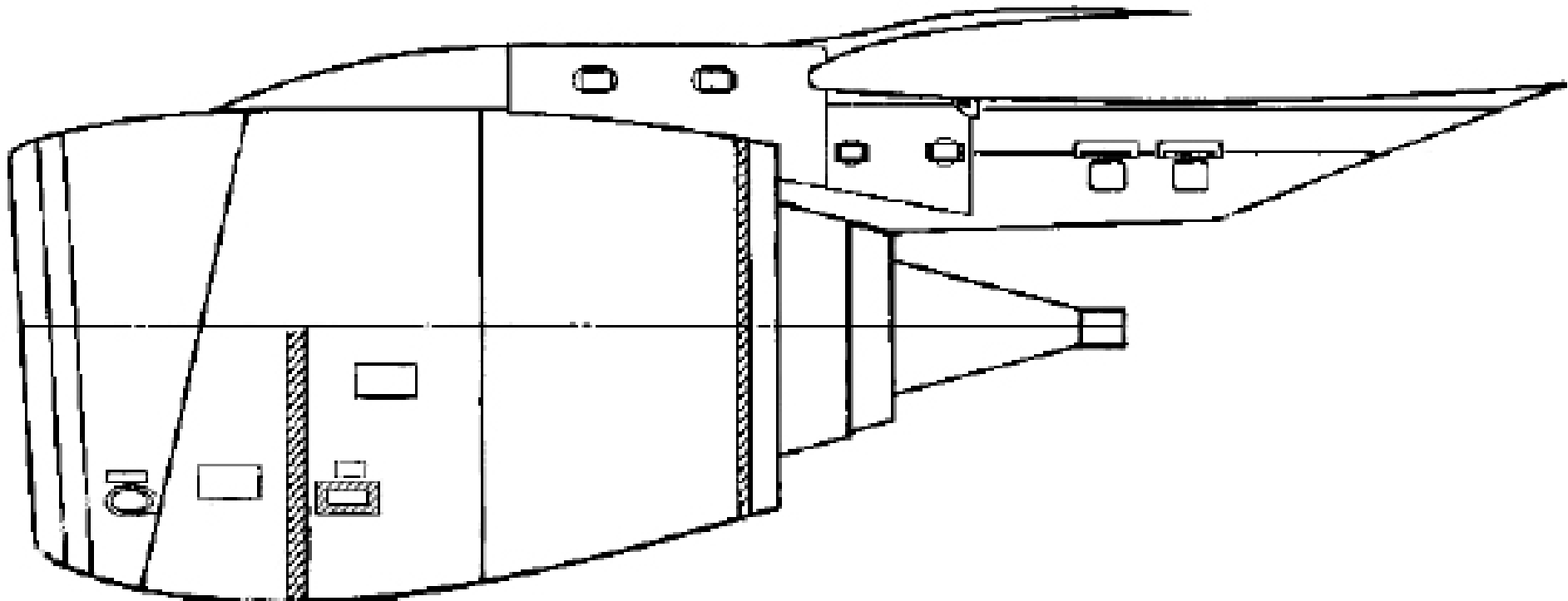
No.2 Engine Nacelle Inboard



Damage, Corrosion and Surface Finish Map

Aircraft Serial No: _____

No.3 Engine Nacelle Inboard

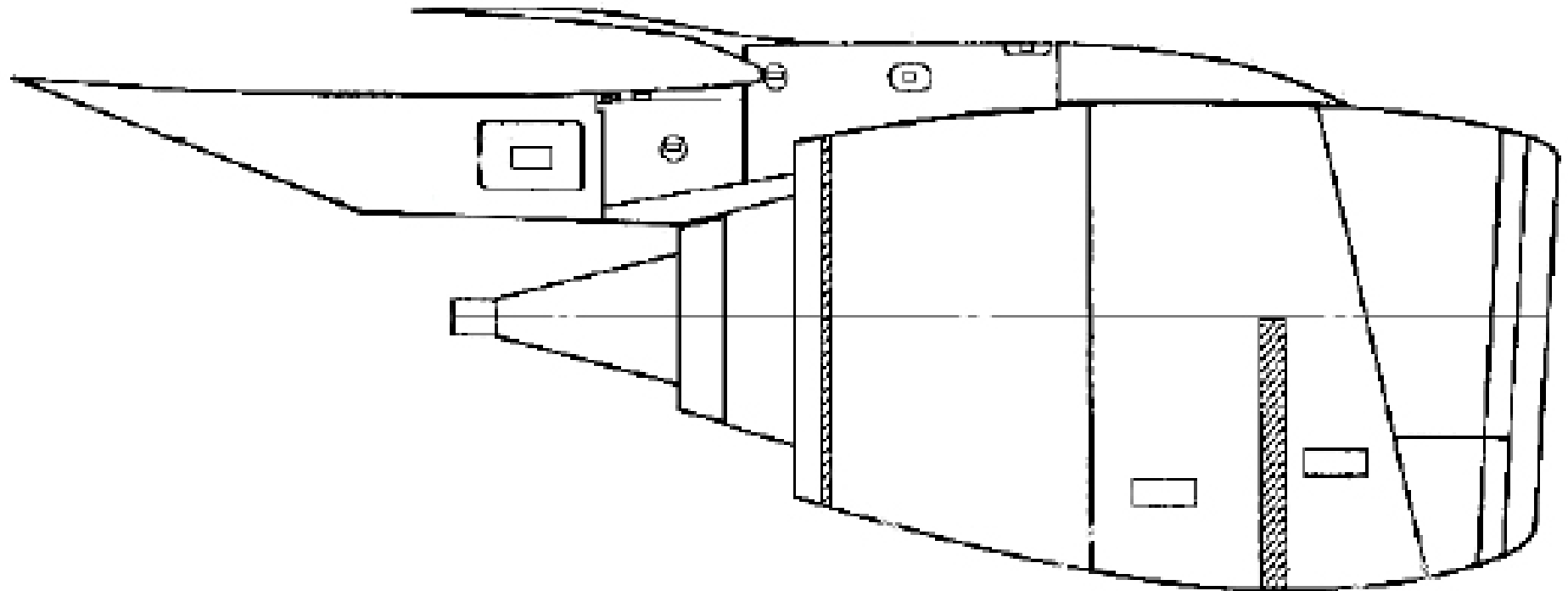


Damage, Corrosion and Surface Finish Map

Aircraft Serial No: _____

Sheet No: _____

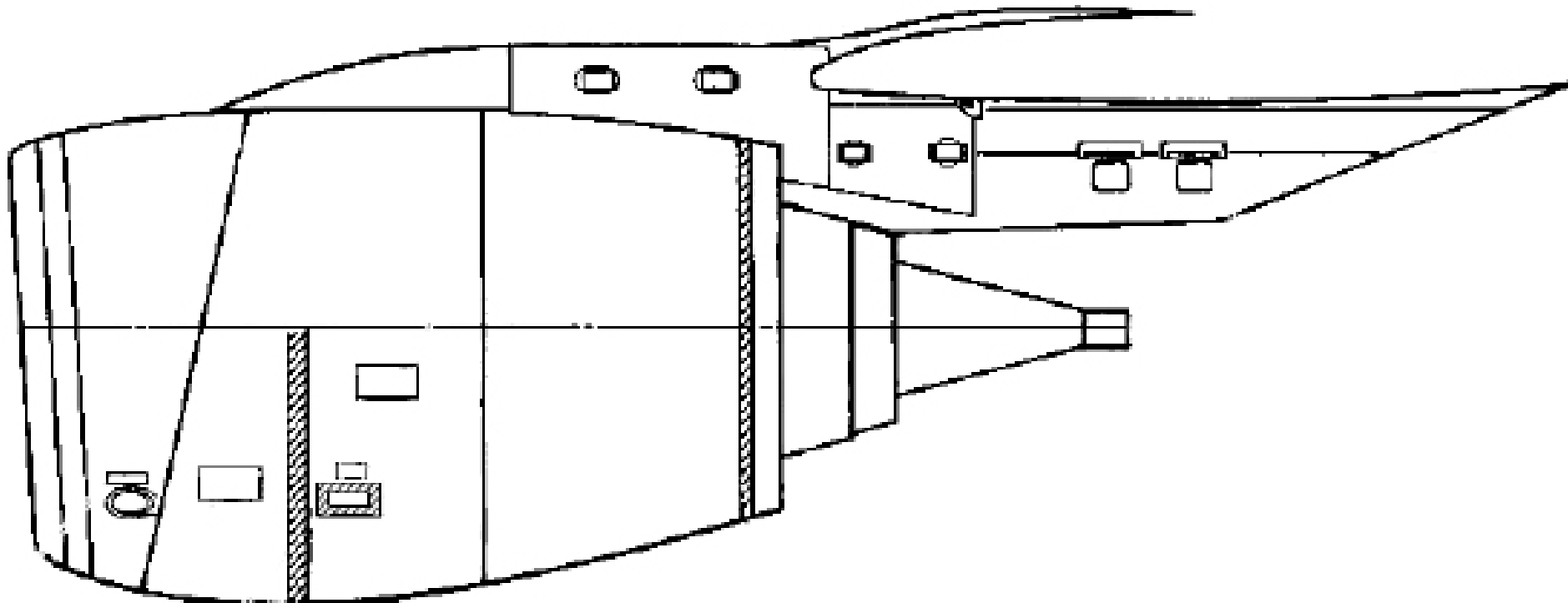
No.3 Engine Nacelle Outboard



Damage, Corrosion and Surface Finish Map

Aircraft Serial No: _____

No.4 Engine Nacelle Inboard



Damage, Corrosion and Surface Finish Map

Aircraft Serial No: _____

Sheet No: _____

No.4 Engine Nacelle Outboard

