

# Corrosion Occurrence and Top Deck Damage Register

Aircraft Mk: \_\_\_\_\_

Aircraft Serial No: \_\_\_\_\_

Sheet No: \_\_\_\_\_

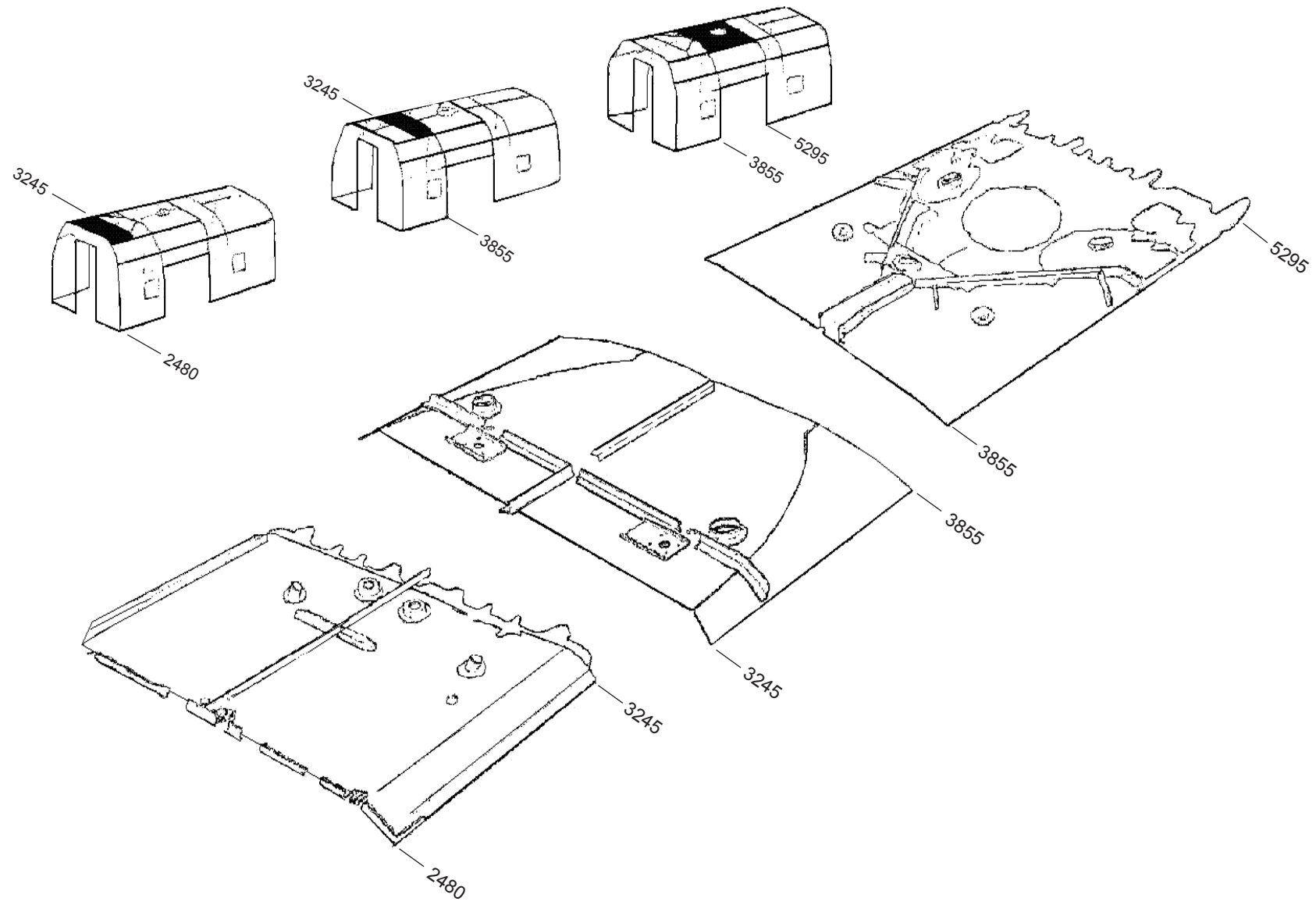
Serial No (a)	Details from Aircraft Maintenance Log (MOD Form 707A) (b)		Severity and Nature of Corrosion and/or Damage (c)	Details of Affected Components (d)	Details of Recovery Action (ie MOD Form 707A and MOD Form 704 details) (e)		
1	SNOW:	Entered By:		Part No:	(a) Negligible <input type="checkbox"/>	(b) Eliminated <input type="checkbox"/>	(c) LIM/ADF <input type="checkbox"/>
	Date:	A/F Hours:		Serial Number:			
2	SNOW:	Entered By:		Part No:	(a) Negligible <input type="checkbox"/>	(b) Eliminated <input type="checkbox"/>	(c) LIM/ADF <input type="checkbox"/>
	Date:	A/F Hours:		Serial Number:			
3	SNOW:	Entered By:		Part No:	(a) Negligible <input type="checkbox"/>	(b) Eliminated <input type="checkbox"/>	(c) LIM/ADF <input type="checkbox"/>
	Date:	A/F Hours:		Serial Number:			
4	SNOW:	Entered By:		Part No:	(a) Negligible <input type="checkbox"/>	(b) Eliminated <input type="checkbox"/>	(c) LIM/ADF <input type="checkbox"/>
	Date:	A/F Hours:		Serial Number:			
5	SNOW:	Entered By:		Part No:	(a) Negligible <input type="checkbox"/>	(b) Eliminated <input type="checkbox"/>	(c) LIM/ADF <input type="checkbox"/>
	Date:	A/F Hours:		Serial Number:			
6	SNOW:	Entered By:		Part No:	(a) Negligible <input type="checkbox"/>	(b) Eliminated <input type="checkbox"/>	(c) LIM/ADF <input type="checkbox"/>
	Date:	A/F Hours:		Serial Number:			

# Corrosion Occurrence and Top Deck Damage Register

Aircraft Mk: \_\_\_\_\_

Aircraft Serial No: \_\_\_\_\_

Serial No (a)	Details from Aircraft Maintenance Log (MOD Form 707A) (b)		Severity and Nature of Corrosion and/or Damage (c)	Details of Affected Components (d)	Details of Recovery Action (ie MOD Form 707A and MOD Form 704 details) (e)		
7	SNOW:	Entered By:		Part No:	(a) Negligible <input type="checkbox"/>	(b) Eliminated <input type="checkbox"/>	(c) LIM/ADF <input type="checkbox"/>
	Date:	A/F Hours:		Serial Number:			
8	SNOW:	Entered By:		Part No:	(a) Negligible <input type="checkbox"/>	(b) Eliminated <input type="checkbox"/>	(c) LIM/ADF <input type="checkbox"/>
	Date:	A/F Hours:		Serial Number:			
9	SNOW:	Entered By:		Part No:	(a) Negligible <input type="checkbox"/>	(b) Eliminated <input type="checkbox"/>	(c) LIM/ADF <input type="checkbox"/>
	Date:	A/F Hours:		Serial Number:			
10	SNOW:	Entered By:		Part No:	(a) Negligible <input type="checkbox"/>	(b) Eliminated <input type="checkbox"/>	(c) LIM/ADF <input type="checkbox"/>
	Date:	A/F Hours:		Serial Number:			
11	SNOW:	Entered By:		Part No:	(a) Negligible <input type="checkbox"/>	(b) Eliminated <input type="checkbox"/>	(c) LIM/ADF <input type="checkbox"/>
	Date:	A/F Hours:		Serial Number:			
12	SNOW:	Entered By:		Part No:	(a) Negligible <input type="checkbox"/>	(b) Eliminated <input type="checkbox"/>	(c) LIM/ADF <input type="checkbox"/>
	Date:	A/F Hours:		Serial Number:			



# Top Deck Damage Record